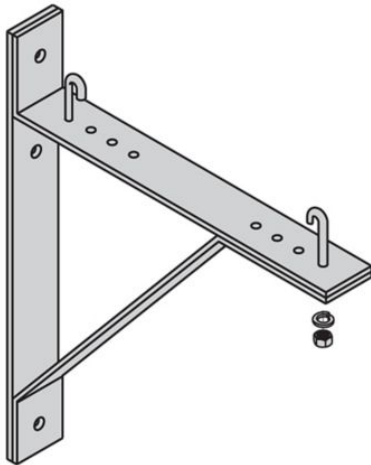


Eaton SB21318KYZ

Catalog Number: SB21318KYZ

Eaton B-Line series runway shelf bracket, Used to support cable runway, Includes wall support, J bolts, and 5/16-18 hardware, 15" triangular runway wall support kit, ASTM A36 structural steel, Yellow zinc



General specifications

| | |
|--|----------------------|
| Product Name | Catalog Number |
| Eaton B-Line series runway shelf bracket | SB21318KYZ |
| UPC | Product Length/Depth |
| 799038018629 | 19.875 in |
| Product Height | Product Width |
| 19.125 in | 12 in |
| Product Weight | Certifications |
| 8.8 lb | UL Listed |

Product specifications

Special features

Includes wall support, J bolts, & 5/16-18 hardware

Type

Triangular runway wall support kit

Material details

Yellow zinc ASTM A36 steel

Application

Used to support cable runway

Resources

Brochures

[Redi-Rail runway brochure](#)

Catalogs

[Cable runway and accessories section of datacomm catalog](#)

Specifications and datasheets

[Eaton Specification Sheet - SB21318KYZ](#)



Eaton Corporation plc
Eaton House
30 Pembroke Road
Dublin 4, Ireland
Eaton.com

© 2023 Eaton. All Rights Reserved.

Eaton is a registered trademark.

All other trademarks are property of their respective owners.



[Eaton.com/socialmedia](https://www.eaton.com/socialmedia)